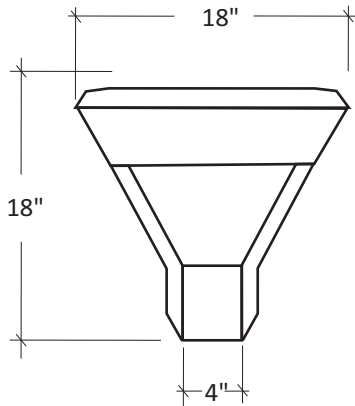


POLE MOUNT



**AXD-S** is the smaller version of the AXD post top luminaire with the same heavy duty aluminum construction and multi-piece arrangements. All connections are fully gasketed and lens is weatherproof silicone sealed for weather tight seal and to exclude dust & bugs. All external hardware is stainless steel for additional corrosion resistance.

**LAMPING:**

- 50W** 50W LED chip on board technology.
- LED** Optional LED color temperatures:  
WW - 3500°K  
NW - 4100°  
CW - 5000°K
- 39MH-** G12 base lamp holder provided  
**T6** to accept the 39W Metal Halide T6 lamp (by other)
- 70MH-** G12 base lamp holder provided  
**T6** to accept the 70W Metal Halide T6 lamp (by other)

**MOUNTING:**

- PT3/4 - Post Top Mounts over 3" OD X 5" tenon/pole (by other).
- PT4 - Post Top Mounts over 4" OD X 5" tenon/pole (by other).
- WM - Wall Surface Mounted with arm

**OPTIONS:**

- TP** Tamper proof Hardware
- TS** Tamper proof Screwdriver
- PC** Button Style Photocell
- SF** Single Fuse

**ELECTRICAL:**

Select from 120V, 277V, 347V  
(consult Solera for additional voltages)  
Magnetic Ballast is standard on most HID lamps. For electronic ballast specify ELB after the lamp option.  
Electronic Ballast is standard on all LED, CFL, BIAx and Fluorescent lamps.

**FINISH:**

Electrostatically applied, thermally cured powder coated paint.  
Available in Solera Standard colors:

- BL** Minitex Black
- WH** Minitex White
- BZ** Minitex Bronze
- SG** Silver Gray
- CC** Custom Color (Consult Solera)

**OPTICS::**

- TV** Type V distribution is standard.
- TIII** Type III distribution
- TII** Type II distribution

AXD-S

PROJECT DATE QTY

AXD-S

NAME	LAMPING	COLOR	VOLT	OPTICS	LENS	MOUNTING	OPTIONS	FINISH
	50W LED	<b>TEMP.</b>	120V	TV	120V	PT3/4	TP	BL
	39MH-T6	(LED)	277V	TIII	277V	PT4	TS	WH
	70MH-T6		347V	TII	347V	WM	DL	BZ
		WW	120/277V		120/277V		PC	SG
		NW					SF	CC
		CW						