

MAS - 2, 3, 4, 8

Cable suspended, sleek and durable.

Construction:

Fabricated aluminum housing construction.

Lamping:

	LED	Linear Fluorescent
MAS-2	12LED	2F17T8
MAS-3	18LED	2F25T8
MAS-4	36LED	2F32T8
MAS-8	60LED	4F32T8

LED is available in the following color temperatures:

CW - Cool White (5000-7000°K) *standard

WW - Warm White (3500°K)

NW - Neutral White (4100°K)

Optics:

D- Down Light Distribution is standard

Lens/Shielding:

K12 Prismatic Lens is standard

OPL - Opal Acrylic Lens

Mounting:

2AC24"- 2 x 24"(standard) Aircraft cable suspended. Cables secure to canopies for flat ceiling. * other cable lengths are available, please consult Solera or specify in part number*

Options:

SF - Single Fuse

DM - 0-10V Dimming

U10 - 10% up light

Finish:

Electrostatically applied, thermally cured polyester powder coated paint finish.

Available in Solera standard colors:

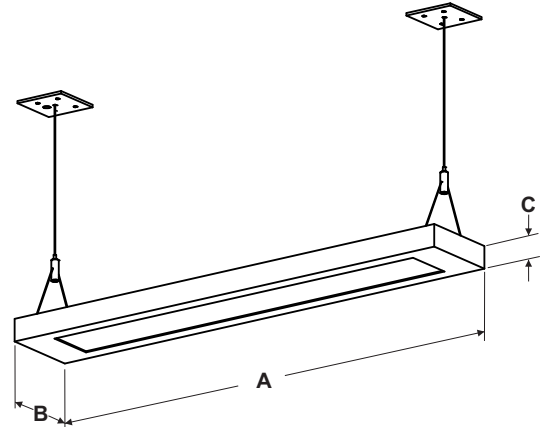
BL - Minitex Black

WH - Minitex White

SG - Silver Gray

BZ - Minitex Bronze

SUSPENDED, PENDANT



	A	B	C
MAS-2	2'	8"	2-1/8"
MAS-3	3'	8"	2-1/8"
MAS-4	4'	8"	2-1/8"
MAS 8	8'	8"	2-1/8"

PROJECT	DATE	QTY							
-	-	-	-	-	-	-	-	-	-
NAME	SIZE	LAMPING	COLOR	VOLT	SHIELDING	MOUNTING	OPTIONS	FINISH	
MAS	2	*please	TEMP.	120V	LENS	2AC24"	SF	WH	
MAS	3	see	(LED)	277V	K12	2AC__	DM	BL	
MAS	4	lamping	WW	347V	OPL		U10	SG	
MAS	8	chart*	NW	120/277V				BZ	
			CW					CC*	

MAS